

auto electrical parts

Technical Information Sheet

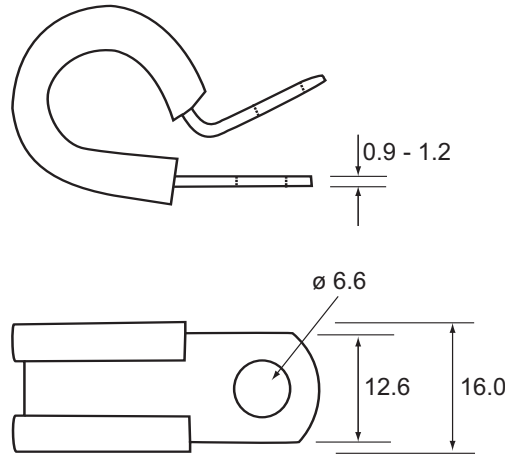
Part No. 0-002-81 to 88

"P" clip, zinc plated steel and TPE rubber liner with fixing hole of 6.6mm.

0-002-81	For cable up to 5mm diameter.
0-002-82	For cable up to 8mm diameter.
0-002-83	For cable up to 10mm diameter.
0-002-84	For cable up to 13mm diameter.
0-002-85	For cable up to 16mm diameter.
0-002-86	For cable up to 21mm diameter.
0-002-87	For cable up to 25mm diameter.
0-002-88	For cable up to 32mm diameter.



Technical Drawing (not to scale)



Specification

Type	P clip
Material - clip	Mild steel zinc plated and passivated
- liner	TPE rubber
Liner temperature range	-30°C to +50°C
Liner hardness	65 IRHD

The information contained in this document is correct to the best of our knowledge at the time of printing. However, specifications may change at any time without notice.